

User's Guide



V-Lock™ Wall Mount Assembly Kit

Replacement accessory for Extron System *INTEGRATOR*®
SI 26 and SI 28 Surface Mount Speakers

Introduction

Packaging Information

The V-Lock™ Assembly Kit is supplied as two individual mounting kits (one in each inner box), and an Allen hex tool.

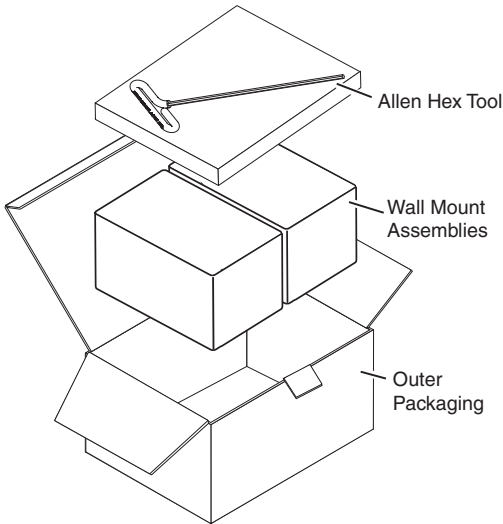


Figure 1 — V-Lock™ Assembly packaging details

About the V-Lock™ Assembly Kit

The V-Lock™ Wall Mount Assembly Kit is a pair of replacement wall mounting kits (wall plate and locking stage only) for the Extron *System INTEGRATOR*® SI 26 and SI 28 two-way surface mount speakers.

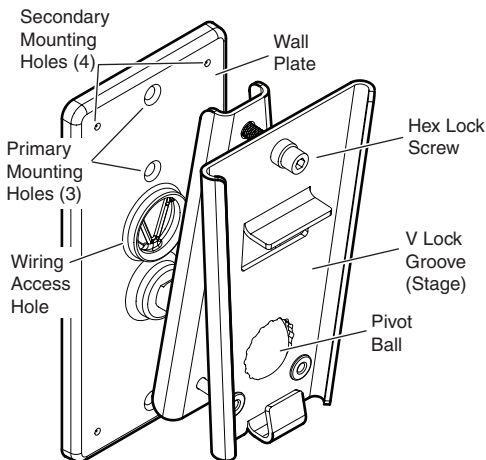


Figure 2 — Main parts of the V-Lock™ Assembly Kit

Installation

Installing the V-Lock™ Assembly Kit

If your speakers are not already installed, follow the instructions outlined in the *SI 26 and SI 28 User's Guide* supplied with the speakers (or online at www.extron.com).

If your speakers are already installed, replace the V-Lock™ assembly by following the instructions, below.

NOTE Referring to packaging information for location, carefully remove and check contents before installation.

NOTE Extron recommends that the wiring installation is performed by a professional audio equipment installer.

NOTE For speaker details, specifications, troubleshooting tips, and service access information, refer to the *SI 26 and SI 28 User's Guide* supplied with the speakers, or online at www.extron.com.

Existing wall mounting application

To replace a damaged V-Lock™ assembly, where already installed do the following:

1. Remove the Extron logo from the front of the speaker to access the hex cap screw. Retain logo.
2. Insert the hex tool and unlock the speaker.
3. Disconnect the seismic cable and audio wires from the rear of the speakers, and carefully lift the speakers away from the bracket.
4. Rotate the stage (V-lock groove) 90 degrees to the wall plate (see figure 3), to access the screws in the wall plate.

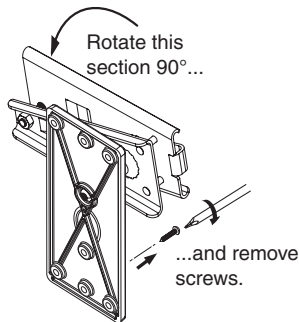


Figure 3 — Remove the old V-Lock Assembly

Installation, cont'd

5. Carefully remove (and retain) the mounting screws, taking care not to damage the mounting holes in the wall. Remove the mount from the wall.
6. Remove a new V-Lock™ assembly from its box, loosen the hex cap screw and rotate the front section approximately 90 degrees to the mounting plate, (see figure 3). Lightly tighten the hex cap screw to temporarily lock it in position, allowing access to the mounting holes in the wall plate.
7. Pass the wire through the access hole in the wall plate and using the existing mounting holes and screws, securely mount the new assembly wall plate to the wall.

NOTE

If the mounting holes in the wall are damaged and unusable, or a new location is desired, create new mounting holes, following the instructions in the SI 26 and SI 28 User's Manual.

8. Loosen the hex cap screw and turn the stage back through 90 degrees to its upright position and lock into place.
9. Reattach the seismic cable to the speaker as shown.

Anchor this end to a suitable secure point.

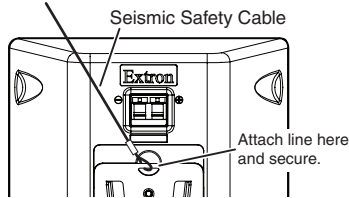


Figure 4 — Re-attach the seismic safety cable

10. Mount the speakers onto the assembly, following the instructions in the next section.

Mounting the speakers

The two models of speakers (SI 26 and SI 28) have slightly different mounting procedures. Follow the applicable method.

Mounting the SI 26 speaker onto the wall mount assembly

1. Carefully lift the speaker above the wall mount assembly and gently slide the speaker box bracket down into the V lock groove (see figure 5) until it locks into place.

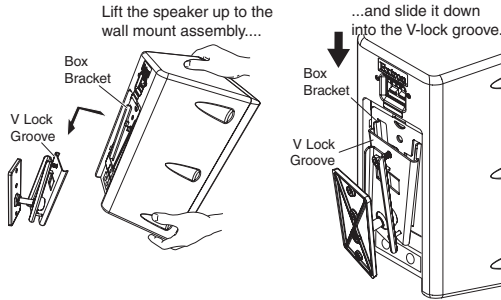


Figure 5 — Slide the speaker down onto the wall mount assembly

2. If re-installing two speakers, repeat all the installation and speaker mounting steps for the second speaker, then go to "Final adjustments" section on the following page.

Mounting the SI 28 speaker onto the wall mount assembly

- 1a. Carefully lift the speaker up as close to the bottom of the wall mount assembly as possible and hook the right outer edge of the speaker box bracket over the right inner edge of the V-lock groove (see figure 6).

NOTE *Holding the speaker so that the lowest part of the speaker is as close to the bottom of the V-lock groove as possible makes it easier to hook the two parts together.*

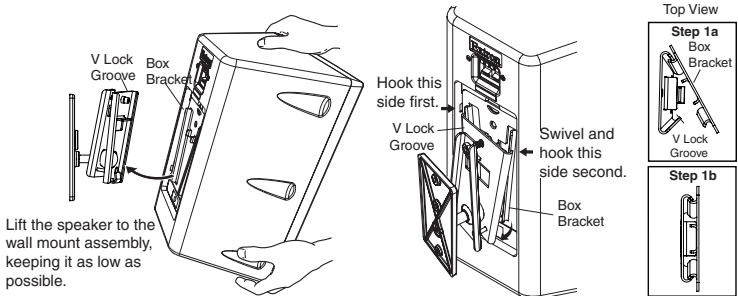


Figure 6 — Hook the speaker over the edges of the V-lock groove on the wall mount assembly

- 1b. Rotate the speaker until the speaker box bracket left edge hooks over the left edge of the V-lock groove (see above).
- 1c. When the bracket is securely over the V-lock groove, gently slide the speaker down until it locks into place.
2. If re-installing two speakers, repeat all the installation and speaker mounting steps for the second speaker, then go to "Final adjustments" section on the following page.

Final adjustments

1. When the speaker is in place, insert the audio wires into the back of the speaker as shown.

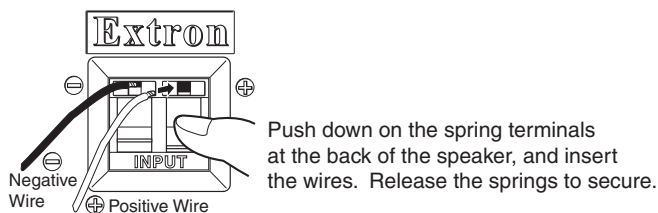


Figure 7 — Insert audio wires into the terminals

NOTE If the ends of the wires are damaged and need to be restripped, follow the instructions in the SI 26 and SI 28 User's Guide.

2. Turn on the audio source and any associated devices. Adjust the source and device settings as desired to get the optimum audio output for your speaker application.
3. To adjust the speaker angle insert the allen hex tool into the locking access, loosen the hex cap screw, and adjust to the desired angle (see figure 8). Torque the hex cap screw down clockwise until snug, about 6 to 8 turns, for the speaker to sit securely in the desired position.

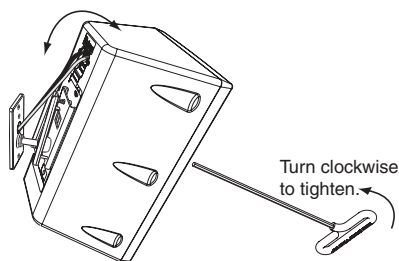


Figure 8 — Adjust speaker and lock in place

NOTE After locking it into place, check that the speaker is secure and cannot be lifted from the wall mount assembly. If it does lift out, continue tightening down the hex cap screw until it is no longer possible to lift the speaker from the assembly.

4. Replace the Extron logo, pressing it firmly into place.

NOTE For speaker details, specifications, troubleshooting tips, and service access information refer to the SI 26 and SI 28 User's Guide supplied with the speakers, or online at www.extron.com

Extron's Warranty

Extron Electronics warrants this product against defects in materials and workmanship for a period of five years from the date of purchase. In the event of malfunction during the warranty period attributable directly to faulty workmanship and/or materials, Extron Electronics will, at its option, repair or replace said products or components, to whatever extent it shall deem necessary to restore said product to proper operating condition, provided that it is returned within the warranty period, with proof of purchase and description of malfunction to:

**USA, Canada, South America,
and Central America:**

Extron Electronics
1001 East Ball Road
Anaheim, CA 92805, USA

Europe, Africa, and the Middle East:

Extron Electronics, Europe
Beeldschermweg 6C
3821 AH Amersfoort
The Netherlands

Asia:

Extron Electronics, Asia
135 Joo Seng Road, #04-01
PM Industrial Bldg.
Singapore 368363

Japan:

Extron Electronics, Japan
Kyodo Building
16 Ichibancho
Chiyoda-ku, Tokyo 102-0082
Japan

This Limited Warranty does not apply if the fault has been caused by misuse, improper handling care, electrical or mechanical abuse, abnormal operating conditions or non-Extron authorized modification to the product.

If it has been determined that the product is defective, please call Extron and ask for an Applications Engineer at (714) 491-1500 (USA), 31.33.453.4040 (Europe), 65.6383.4400 (Asia), or 81.3.3511.7655 (Japan) to receive an RA# (Return Authorization number). This will begin the repair process as quickly as possible.

Units must be returned insured, with shipping charges prepaid. If not insured, you assume the risk of loss or damage during shipment. Returned units must include the serial number and a description of the problem, as well as the name of the person to contact in case there are any questions.

Extron Electronics makes no further warranties either expressed or implied with respect to the product and its quality, performance, merchantability, or fitness for any particular use. In no event will Extron Electronics be liable for direct, indirect, or consequential damages resulting from any defect in this product even if Extron Electronics has been advised of such damage.



Extron Electronics, USA
1230 South Lewis Street
Anaheim, CA 92805
800.633.9876 714.491.1500
FAX 714.491.1517

Extron Electronics, Europe
Beeldschermweg 6C
3821 AH Amersfoort, The Netherlands
+800.3987.6673 +31.33.453.4040
FAX +31.33.453.4050

Extron Electronics, Asia
135 Joo Seng Rd. #04-01
PM Industrial Bldg., Singapore 368363
+800.7339.8766 +65.6383.4400
FAX +65.6383.4664

Extron Electronics, Japan
Kyodo Building, 16 Ichibancho
Chiyoda-ku, Tokyo 102-0082
Japan
+81.3.3511.7655 FAX +81.3.3511.